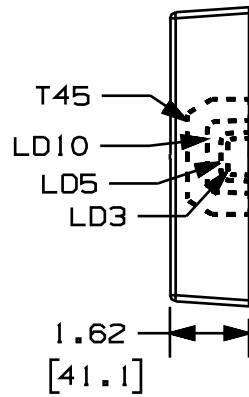
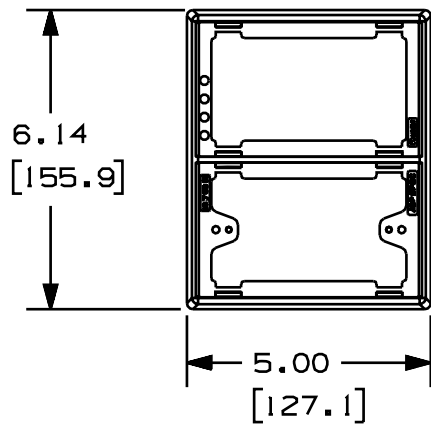


THIS COPY IS PROVIDED ON A RESTRICTED BASIS AND IS NOT TO BE USED IN ANY WAY DETRIMENTAL TO THE INTERESTS OF PANDUIT CORP.



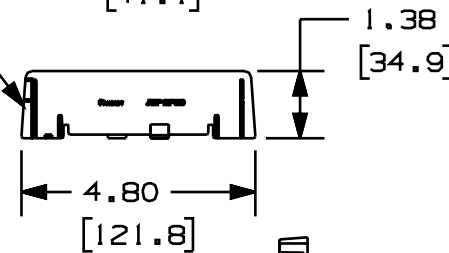
PANDUIT P/N	WEIGHT
JBP2FS	3.92 LB/10 PCS (1775 g/10 PCS)

NOTES:

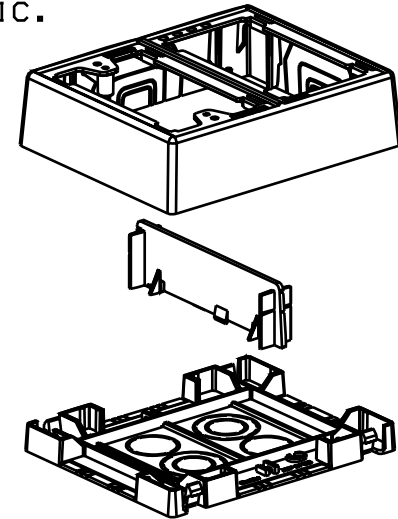
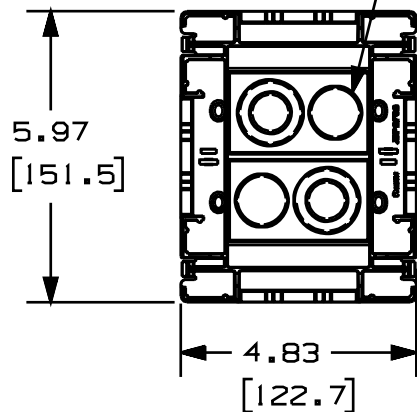
1. SEE CURRENT CATALOG FOR ADDITIONAL PART SUFFIXES TO INDICATE COLOR AND OR PACKAGE QUANTITY.
2. CONCENTRIC BREAKOUTS TO ACCOMMODATE CONDUIT SIZES OF 1/2", 3/4", AND 1" DIAMETERS.
3. BREAKOUTS ARE PROVIDED ON ALL FOUR SIDES OF COVER.
4. DIVIDER PROVIDES POWER AND DATA SEPARATION IMMEDIATELY FROM RACEWAY.
5. DIMENSIONS IN PARENTHESES ARE IN METRIC.



SEE NOTE 4.



SEE NOTE 2.



CAD FILENAME/LAYERS

D37086BD\_DC\_JBP2FS\_00A.PRT

PANDUIT CORP. TINLEY PARK, ILLINOIS

2 GANG SNAP TOGETHER  
JUNCTION BOX (JBP2FS)  
CUSTOMER DRAWING

UNLESS OTHERWISE SPECIFIED,  
DIMENSIONAL TOLERANCES ARE:  
(.X) ± .XXX  
(.XX) ± .010 ANGLES ± 1°

UNLESS OTHERWISE SPECIFIED,  
ALL DIMENSIONS ARE GIVEN  
IN INCHES, THIRD ANGLE PROJECTION.

DRAWN BY  
RABO

MAT'L:

SCALE FULL

R 11/18/99 RABO JAWA RELEASED TO PRODUCTION

37086-04 HIW HIW

DATE  
11/18/99

PVC

DRAWING NO.  
37086-04

DWG  
A  
SIZE

REV	DATE	BY	CHK	DESCRIPTION	ECN	R	CUST	SUP

CHK'D  
HIW